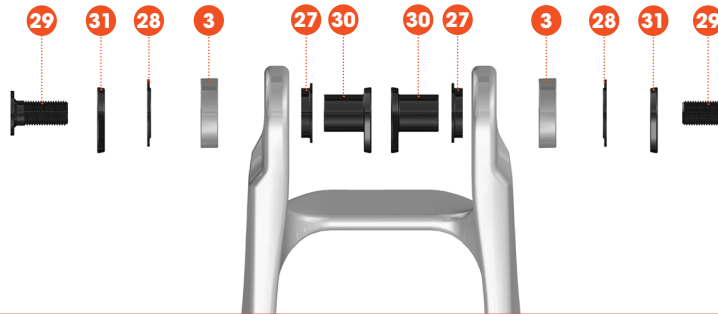
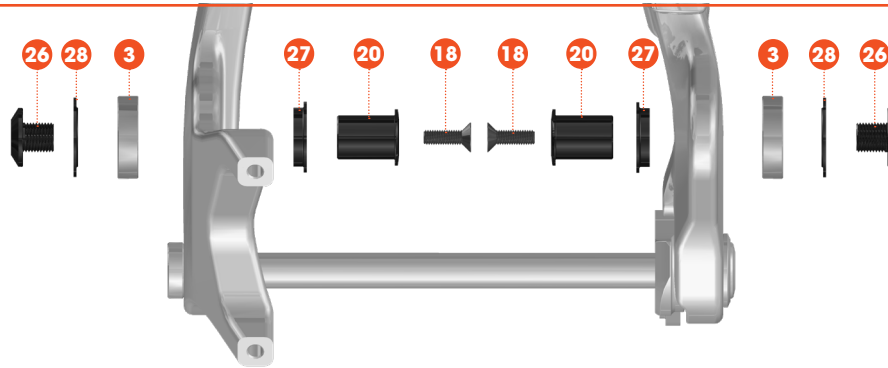


DESCRIPTION	PART NUMBER	QTY	ASSEMBLY
1 Hanger, Rear, UDH	CMPHUDH01	1	
2 Washer, 5.2ID, 12.5OD, 1.5L	CMPPHW00267	1	
3 Bearing, 6902 LLU Max	CMPWFB6902LLUMAX	8	
4 Bearing, 6900 LLU Max	CMPWFB6900LLUMAX	2	
5 Cable routing, Clamp, 1 cable	CMPWCG13H	1	
6 Frame Protection, Chainstay	CMPWFP10A	1	
7 Frame Protection, Downtube	CMPWFP11B	1	
8 Frame Protection, Seatstay	CMPWFPSSVLF1320	1	
9 Frame Protection, Chainstay	CMPWFPCSVLF1318	1	
10 Frame Protection, Downtube	CMPWFPVLFC1442	1	
15 Axle, 12-180-P1.0-13	CMPAXR12B	1	9-13.5Nm
16 Screw, M5x0.8, 15L, button head	NA	4	3Nm
18 Screw, M5x0.8, 16L, flathead	CMPBTG2PR03S	2	
19 Screw, M5x0.8, 35L, flathead	CMPBTG2PR01	3	
20 Pivot hardware, Female, M10x1.0, 20L	CMPBTG2PR16B	2	
21 Pivot spacer, 15.5ID, 21OD, 38L	CMPBTG2PR19CX	1	

DESCRIPTION	PART NUMBER	QTY	ASSEMBLY
22 Pivot hardware, Female, M10x1.0, 70L	CMPBTG2PR18A	1	
23 Pivot Hardware, Male, M10x1.0, 20L	CMPBTG2PR18B	2	12Nm
24 Pivot hardware, Male, M10x1.0, 19L	CMPBTM03	2	12Nm
25 Pivot hardware, Female, M10x1.0, 83L	CMPBTG2PR19AX	1	
26 Pivot Hardware, Male, M10x1.0, 14.5L	CMPBTG2PR16AX	2	8Nm
27 Pivot Spacer, 15ID, 24OD, 4.5L	CMPBTG2PR10H	4	
28 Pivot Spacer, 15ID, 27OD, 1.5L	CMPBTG2PR09H	4	
29 Pivot hardware, Male, M10x1.0, 23L	CMPBTG2PR21CX	2	12Nm
30 Pivot hardware, Female, M10x1.0, 19L	CMPBTG2PR21AX	2	
31 Pivot spacer, 15ID, 21OD, 3L	CMPBTG2PR21BX	2	
32 Pivot hardware, Female, M5x0.8, 47.5L	CMPBTG2PR20X	1	6Nm
33 Pivot hardware, Male, M5x0.8, 25.5L	CMPBTM255	1	6Nm
34 Pivot spacer, 15.5ID, 21OD, 48L	CMPBTG2PR18CX	1	
35 Seatclamp, 34.9	CMPSCJD119A349	1	5-6Nm
36 Cable Routing, Grommet, 1 cable	CMPWCG12H	1	
37 Washer, 5.3ID, 9OD, 1.0L	NA	4	

ASSEMBLE WITH GREASE

ADHESIVE BACKED

**DETAIL 1**

**DETAIL 2**

**Bolt Kit**

CMPBK21

DESCRIPTION	PART NUMBER	QTY	ASSEMBLY
2 Washer, 5.2ID, 12.5OD, 1.5L	120-00267	1	
5 Cable routing, Clamp, 1 cable	CMPWCG13H	1	
16 Screw, M5x0.8, 15L, button head	NA	4	3Nm
18 Screw, M5x0.8, 16L, flathead	CMPBTG2PR03S	2	
19 Screw, M5x0.8, 35L, flathead	CMPBTG2PR01	3	
20 Pivot hardware, Female, M10x1.0, 20L	CMPBTG2PR16B	2	
21 Pivot spacer, 15.5ID, 21OD, 38L	CMPBTG2PR19CX	1	
22 Pivot hardware, Female, M10x1.0, 70L	CMPBTG2PR18A	1	
23 Pivot Hardware, Male, M10x1.0, 20L	CMPBTG2PR18B	2	12Nm
24 Pivot hardware, Male, M10x1.0, 19L	CMPBTM03	2	12Nm
25 Pivot hardware, Female, M10x1.0, 83L	CMPBTG2PR19AX	1	
26 Pivot Hardware, Male, M10x1.0, 14.5L	CMPBTG2PR16AX	2	8Nm
27 Pivot Spacer, 15ID, 24OD, 4.5L	CMPBTG2PR10H	4	
28 Pivot Spacer, 15ID, 27OD, 1.5L	CMPBTG2PR09H	4	
29 Pivot hardware, Male, M10x1.0, 23L	CMPBTG2PR21CX	2	12Nm
30 Pivot hardware, Female, M10x1.0, 19L	CMPBTG2PR21AX	2	
31 Pivot spacer, 15ID, 21OD. 3L	CMPBTG2PR21BX	2	
32 Pivot hardware, Female, M5x0.8, 47.5L	CMPBTG2PR20X	1	6Nm
33 Pivot hardware, Male, M5x0.8, 25.5L	CMPBTM255	1	6Nm
34 Pivot spacer, 15.5ID, 21OD, 48L	CMPBTG2PR18CX	1	
36 Cable Routing, Grommet, 1 cable	CMPWCG12H	1	
37 Washer, 5.3ID, 9OD, 1.0L	NA	4	

**Bearing Kit**

CMPBCBK27

DESCRIPTION	PART NUMBER	QTY	ASSEMBLY
3 Bearing, 6902 LLU Max	CMPWFB6902LLUMAX	8	
4 Bearing, 6900 LLU Max	CMPWFB6900LLUMAX	2	

**Frame Protection Kit**

CMPWFP21

DESCRIPTION	PART NUMBER	QTY	ASSEMBLY
6 Frame Protection, Chainstay	CMPWFP10A	1	
7 Frame Protection, Downtube	CMPWFP11B	1	
8 Frame Protection, Seatstay	CMPWFPSSVLFC1320	1	
9 Frame Protection, Chainstay	CMPWFPSSLFC1318	1	
10 Frame Protection, Downtube	CMPWFPVLFC1442	1	
36 Cable Routing, Grommet, 1 cable	CMPWCG12H	1	

**Frequently Asked Questions**

<b>BOTTOM BRACKET</b>	PF 92
<b>SHOCK</b>	EYE TO EYE 185mm / STROKE 50mm
<b>REAR SHOCK - LOWER HARDWARE</b>	20 x 8mm
<b>HEADTUBE ID- UPPER</b>	44
<b>HEADTUBE ID- LOWER</b>	56
<b>HANGER</b>	UDH/T-Type
<b>SEATPOST DIAMETER</b>	31.6
<b>SEATCLAMP INSIDE DIAMETER</b>	34.9
<b>STEERER</b>	TAPERED 1.5" / 28.6-38.1
<b>MAX CHAINRING SIZE</b>	36T
<b>CHAINLINE -1X</b>	55mm
<b>MAX SEATPOST INSERTION</b>	S-M 270mm / L 300mm / XL 320mm
<b>BRAKE ROTOR NATIVE DIAMETER</b>	180mm
<b>MAX BRAKE ROTOR DIAMETER</b>	203mm
<b>ISCG MOUNT</b>	ISCG 05
<b>REAR AXLE</b>	12 x 148 / 12-180-P1.0-13